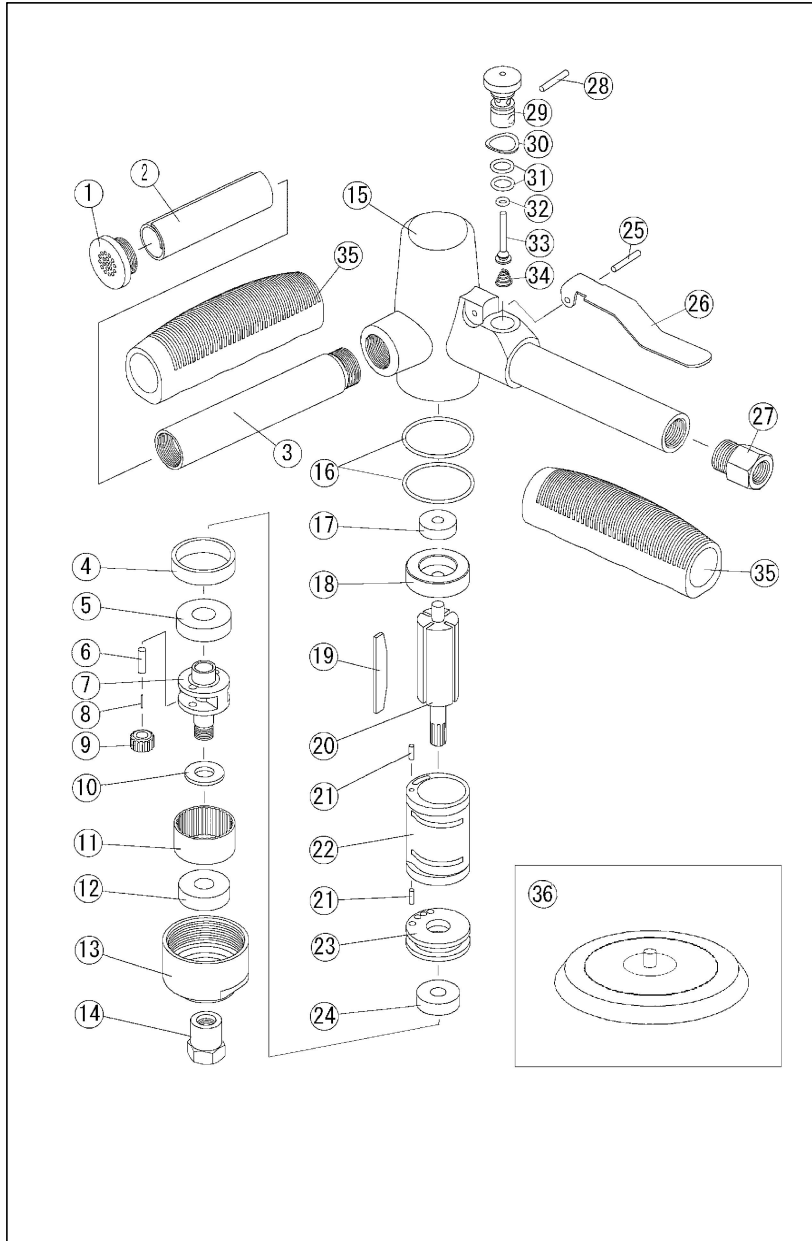


910-0302 Polisher KP-302



Index No.	Code	Description	Qty	Price (JPY)
1	7104	Muffler	1	1,100
2	7123	Muffler sheet	1	300
3	7101	Side Handle	1	1,260
4	7105	Bearing guide	1	880
5	2450	Ball Bearing	1	750
6	2453	Needle roller	2	120
7	7117	Spindle	1	3,580
8	3499	Needle roller	30	33
9	7112	Idle Gear	2	1,820
10	7110	Spacer	1	360
11	7111	Internal gear	1	2,580
12	3256	Ball Bearing	1	720
13	7107	Clamp nut	1	3,090
14	7109	Screw joint	1	630
15	7100	Housing	1	5,300
16	7016	O-Ring	2	300
17	3310	Ball Bearing	1	600
18	7037	Rear End Plate	1	2,500
19	7115	Vane	4	400
20	7106	Rotor	1	6,120
21	7120	Spring pin	2	100
22	7116	Cylinder	1	6,120
23	7036	Front End Plate	1	2,580
24	3464	Ball Bearing	1	600
25	2491	Spring pin	1	60
26	7114	Throttle lever	1	800
27	7108	Air Inlet Bushing	1	630
28	2167	Needle roller	1	160
29	7102	Valve	1	2,000
30	4009	Wave wahser	1	80
31	7119	O-Ring	2	100
32	7118	O-Ring	1	100
33	7103	Valve stem	1	600
34	7113	Valve spring	1	150
35	7121	Grip cover	2	420
36	5547	Back up pad (MP)φ123 x 15	1	3,500
37	3113	Spanner Wrench	1	540

*Parts may be changed with/without notice.

Printed in Japan Mar, 2020

Kovax Corporation