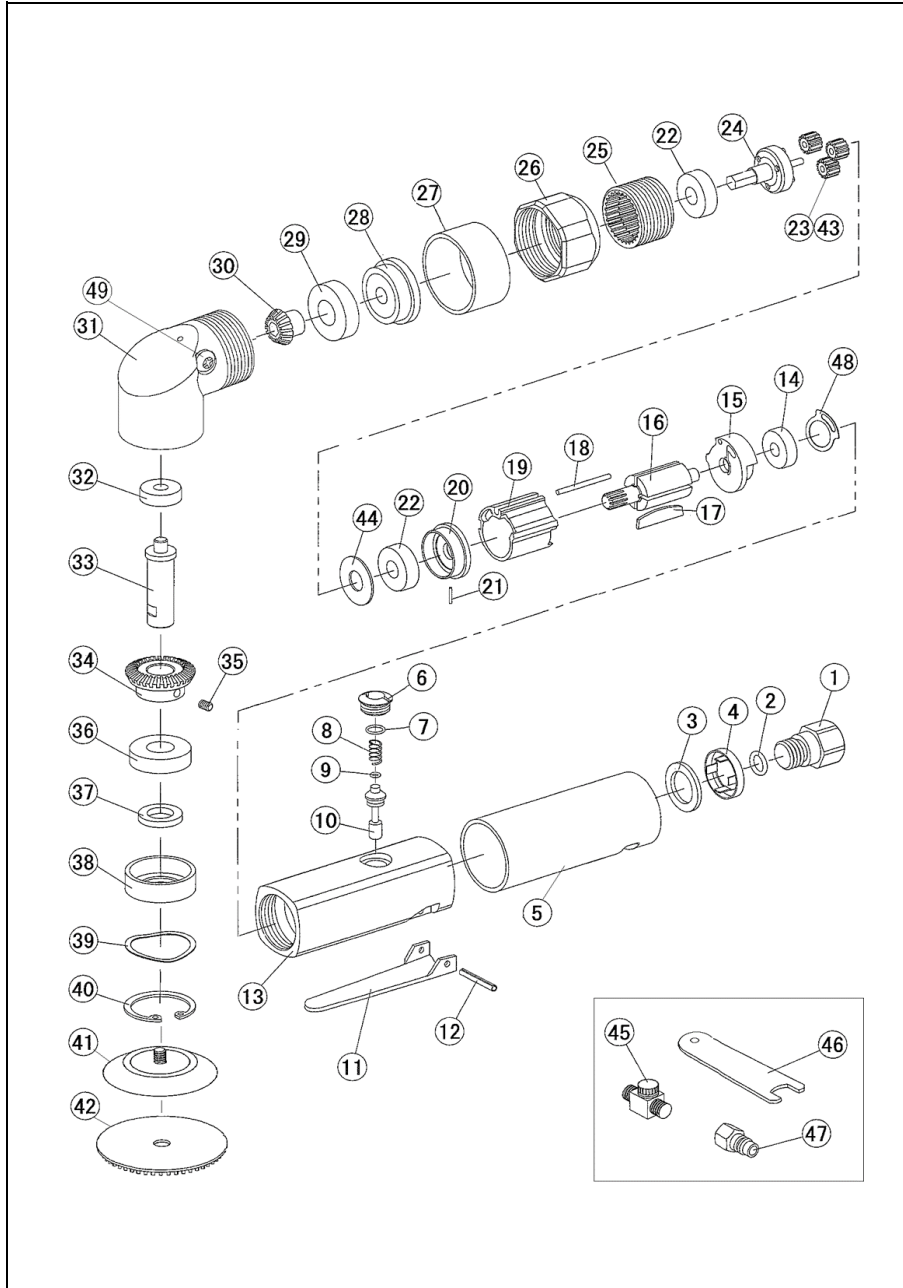




910-0301 Mini Polisher KP-301



Index No.	Code	Description	Qty
1	4363	Air Inlet Bushing	1
2	4368	O-Ring	1
3	4361	Muffler	1
4	2589	Silencer	1
5	4359	Housing cover	1
6	2409	Valve plug	1
7	3302	O-Ring	1
8	2408	Valve spring	1
9	3321	O-Ring	1
10	4366	Valve stem	1
11	3401	Throttle lever	1
12	3387	Spring pin	1
13	4374SA	Housing Ass'y	1
14	3466	Ball Bearing	1
15	4375	Rear End Plate	1
16	2537	Rotor	1
17	3212	Vane	4
18	3342	Cylinder pin	1
19	3210	Cylinder	1
20	2539	Front End Plate	1
21	2286	Needle roller	1
22	3464	Ball Bearing	2
23	4371	Idle gear	3
24	4352	Carrier Spindle	1
25	4351	Internal gear	1
26	4356	Lock nut	1
27	4358	Lock nut cover	1
28	4355	Spacer	1
29	2450	Ball Bearing	1
30	3383	Pinion gear	1
31	4376	Angle housing	1
32	3310	Ball Bearing	1
33	4353	Spindle	1
34	4350	Bevel gear	1
35	3379	Set Screw	1
36	4369	Ball Bearing	1
37	4357	Dust seal	1
38	4354	Bearing cover	1
39	1210	Wave wahser	1
40	1211	Retaining ring	1
41	5544	Pad	1
42	5511	Wool disc	1
43	4372	Needle roller	39
44	4373	Thrust plate	1
45	4362	Speed controller	1
46	4348	Spanner Wrench	1
47	5001G	Coupler	1
48	4370	Gasket	1
49	4377	Screw	2
	4378	Side Handle	OP