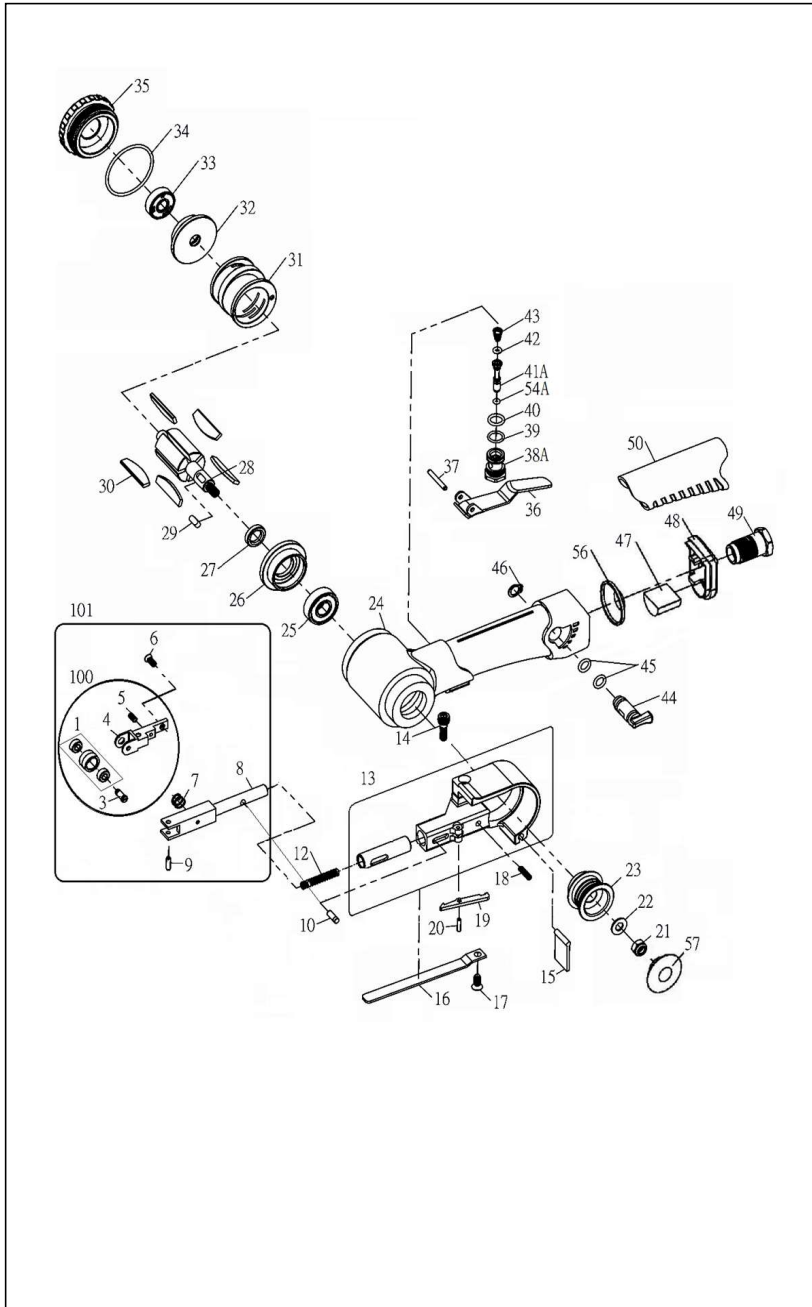


910-0504 Belt Sander KB-504 (10/12mm)



Index No.	Code	Description	Qty	Price (JPY)
1	11202	Idle Pulley Ass'y	1	1,800
3	11003	Idle Pulley Screw	1	520
4	11004	Bracket 10	1	2,080
5	11005	Set Screw	1	90
6	11006	Hex. Socket Headless Set Screw	1	90
7	11007	Spring	1	160
8	11008	Tension Bar	1	3,580
9	2668	Spring pin	1	88
10	11010	Stopper Pin	1	330
12	11012	Tension Spring	1	320
13	11013	Guard Ass'y	1	5,280
14	4456	Cap Screw	1	200
15	11015	Dust Cover	1	400
16	11016	Shoe 10	1	420
17	11017	Hex. Socket Headless Set Screw	1	90
18	11018	Stopper Spring	1	130
19	11019	Stopper	1	730
20	11020	Spring Pin	1	90
21	11021	Hex Nut	1	90
22	11022	Washer	1	90
23	11023	Drive Pulley	1	1,880
24M	11024M	Housing	1	8,000
25	3256	Ball Bearing	1	720
26	11026	Front End Plate	1	2,580
27	11027	Spacer	1	210
28	11028	Rotor	1	6,120
29	11029	Parallel Key Both Ends Round	1	320
30	11030	Vane	5	200
31	11031	Cylinder	1	5,100
32	11032	Rear End Plate	1	2,040
33	3464	Ball Bearing	1	600
34	11034	O-Ring	1	130
35	11035	Cap	1	1,580
36M	11036M	Throttle Lever	1	680
37	2491	Spring pin	1	60
38A	11038A	Valve Body	1	610
39	11039	O-Ring	1	110
40	2508	O-Ring	1	60
41A	11041A	Valve stem	1	520
42	2510	O-Ring	1	60
43	11043	Valve spring	1	160
44	11044	Regulator	1	520
45	3323	O-Ring	2	70
46	1433	Snap Ring	1	100
47	11047	Muffler	1	180
48M	11048M	Exhaust Diffuser	1	530
49M	11049M	Air Inlet Bushing	1	840
100	11004SA	Bracket 10 KIT(No1-5)	1SET	4,450
101	11008SA	Tension Bar KIT(No1-9)	1SET	8,220

*Parts may be changed with/without notice.